



High Country Tek, Inc.

# Proportional Valve Controller MVP-C

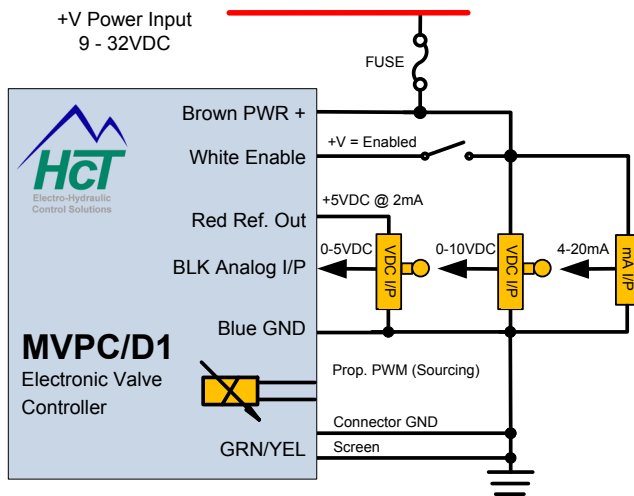
Electronic Controller Solutions for Mobile, Industrial & Marine Applications

## Product Feature Overview

- Permanently sealed, standard DIN 43650 Form A connector body with pre-wired 18AWG PVC cable
- All input and output limits are independently adjustable
- Multiple modes for open loop, closed loop and inverted
- Single coil, programmable enable input
- Output short circuit protection and open circuit alert
- Diagnostic LED's with system "status" blink code indication
- PC based Graphical User Interface (GUI) for system configuration
- Infrared HCT Hand Held Interface for system configuration



## Basic Connection Diagram

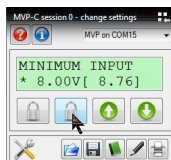


MVP-C Wiring	
Terminal	Function
Brown	+PWR
Blue	PWR GND
Black	Command Input
White	Enable Switch
Red	+5V Reference
GRN/YEL	Connector GND

## Controller Specification Overview

	MVP-C (Standard)	MVP-Cxx-xxxxD1
<b>Housing Type</b>	HCT custom DIN enclosure	
<b>Power Supp. Voltage</b>	9 to 32VDC ( <i>Absolute Maximum</i> )	
<b>Current Consumption</b>	Load current + 20mA Quiescent ( <i>Max</i> )	
<b>Analog Input Range</b>	-C1V: 0 to 10V; -C2A: 4 to 20mA	
<b>Outputs</b>	06A: 600mA max 12A: 1.2A max 25A: 2.5A max	06A: 600mA max 25A: 2.5A max
<b>PWM Dither Freq. (Standard)</b>	30, 33, 38, 43, 50, 60, 75, 100, 150, 300Hz (Select OFF for 1000Hz)	80, 100, 120, 140, 160, 180, 200, 220, 240, 260, 280, 300Hz (Select OFF for 1000Hz)
<b>Module Connector</b>	DIN 43650 Form A connector body	
<b>Communication</b>	Infrared Communication	
<b>Housing Material</b>	33% glass reinforced, heat stabilized, black polyamide 66	
<b>Temperature Range</b>	-40 to +85°C ( <i>Operational</i> ) -60 to +90°C ( <i>Storage</i> )	
<b>NEMA/IP Rating</b>	NEMA 4 / IP67	

## Accessories



### Graphical User Interface

PC set-up software  
Part #: CD-SAM

### Comm. Cable

Infrared Hand Held Interface for Device  
Part #: CBL-IRA

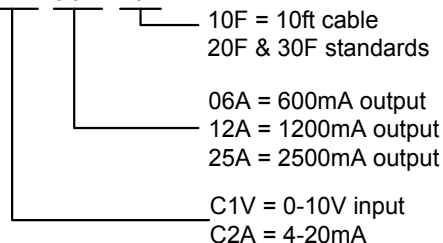
### Comm. Cable

Infrared Hand Held Interface for PC  
Part #: CBL-IRMU

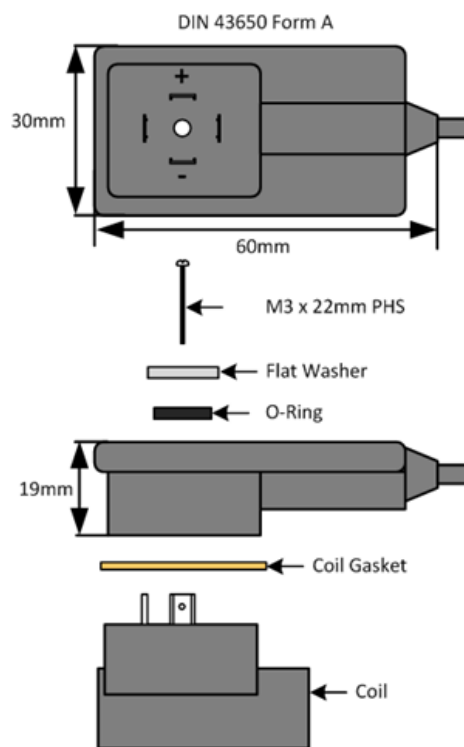
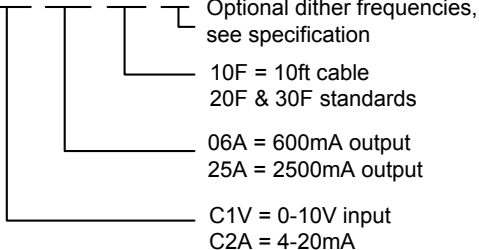
## Order Information

## Dimensions

### MVP-C1V-06A-10F

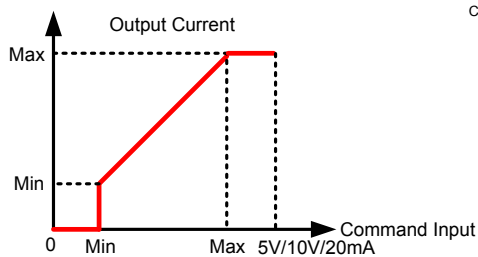


### MVP-C1V-06A-10F-D1

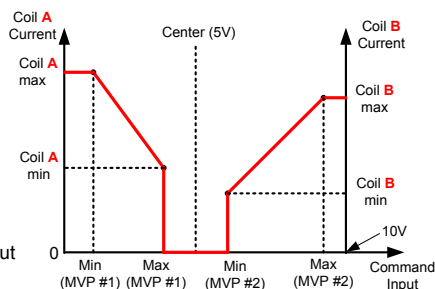


## Application Examples

### Single Valve Control



### Dual Valve Control



NOTE: Dual valve control requires two MVP's



[www.hctcontrols.com](http://www.hctcontrols.com)

High Country Tek, Inc.

208 Gold Flat Court  
Nevada City, CA, 95959  
Tel: (1) 530 265 3236  
Fax: (1) 530 265 3275