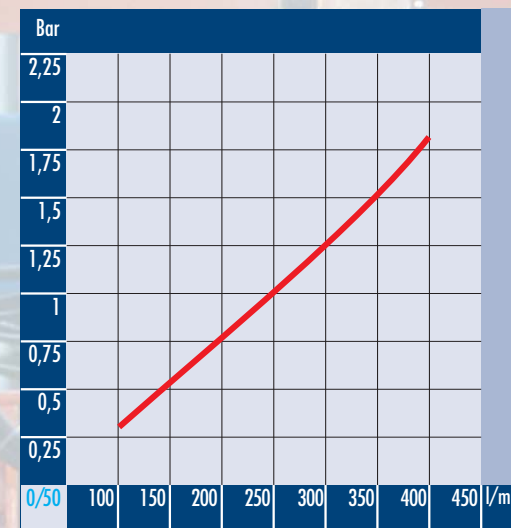
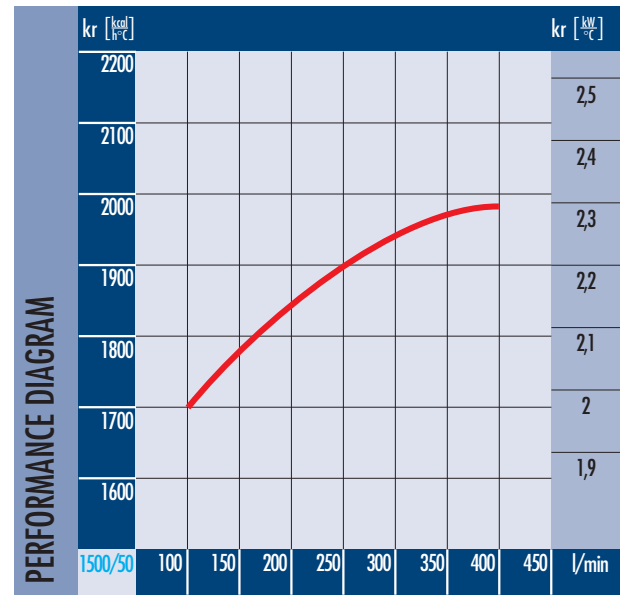


with hydraulic motor fan serie AP

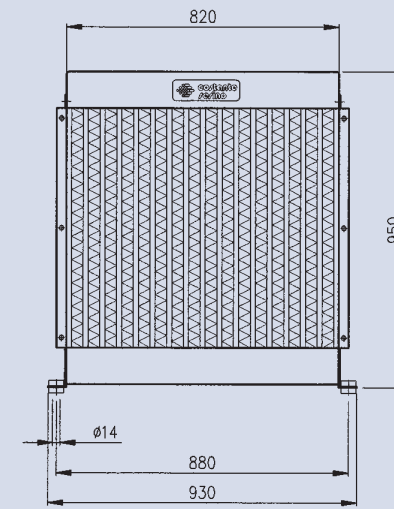
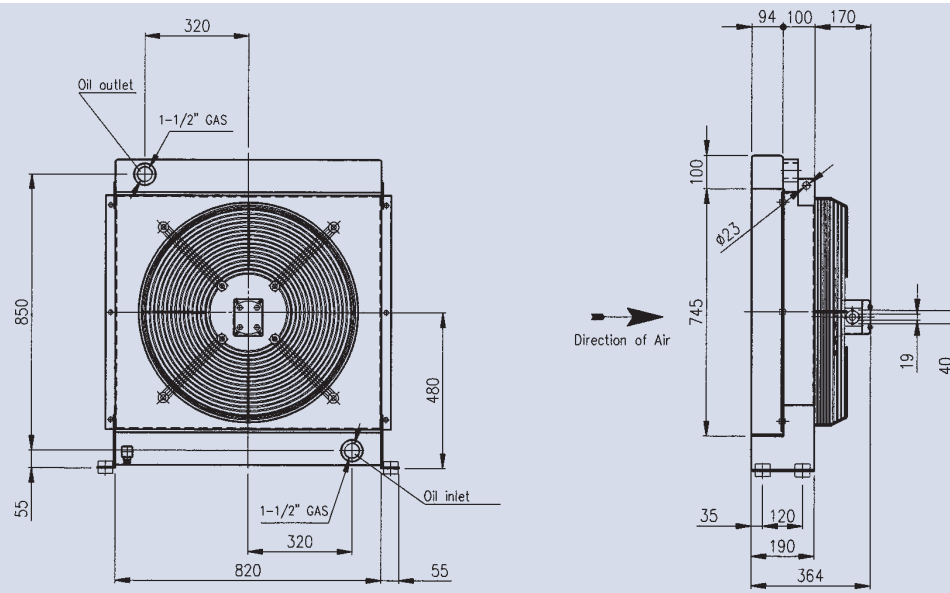
# AP 830 I



LOSS OF PRESSURE DIAGRAM

cSt	22	30	46	68	100	150	220
f	0,6	1	1,5	2,3	3,5	5	7

CORRECTION FACTOR



Dimensions and technical characteristics are not binding

Oil flow	Fan speed	Power	Displacement	Motor flow	Air flow	Noise Level	Weight	Capacity
l/min	rpm	W	cc/r	l/min	m³/h	dB(A)	kg	lt.
150-400	1.300	1.300	17,5	23	15.000	82	74,5	20

TABLE