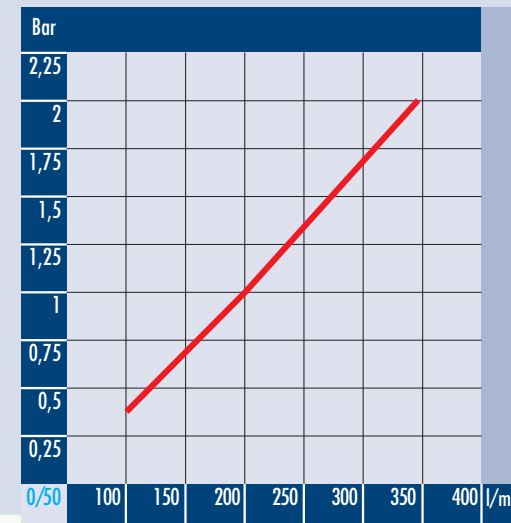
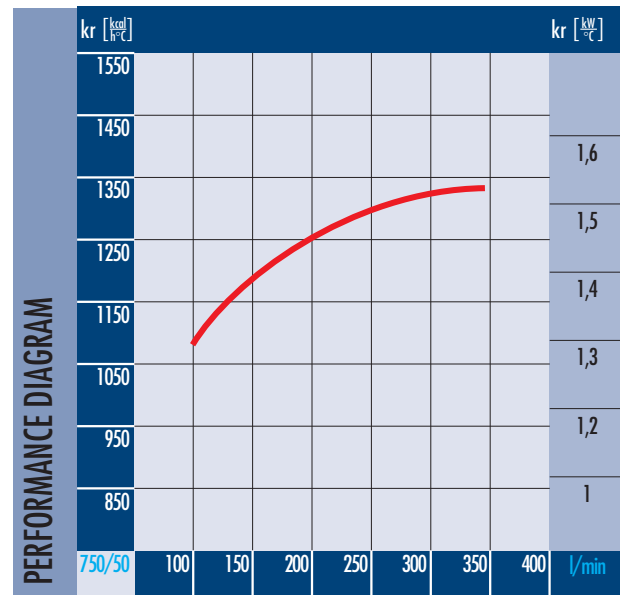
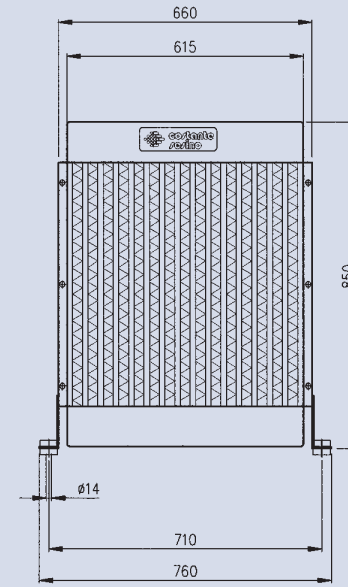
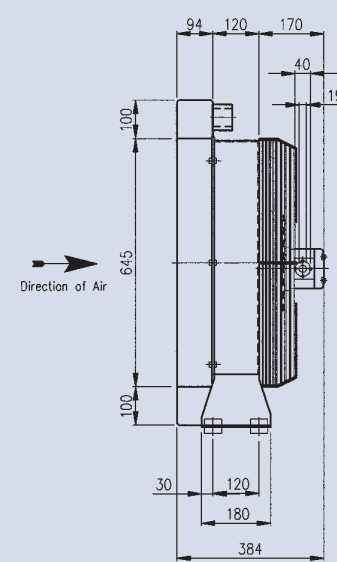
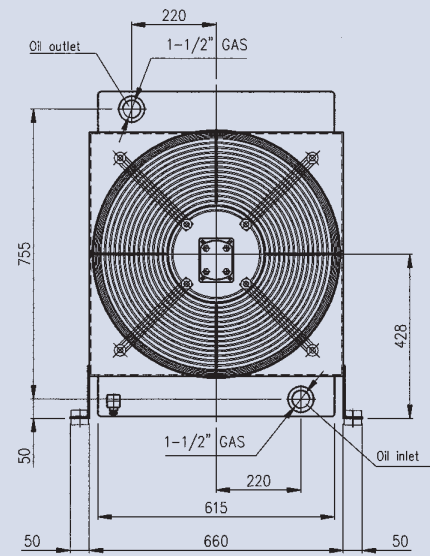


with hydraulic motor fan serie AP

AP 730 I



cSt	22	30	46	68	100	150	220
f	0,6	1	1,5	2,3	3,5	5	7



107



Dimensions and technical characteristics are not binding

Oil flow	Fan speed	Power	Displacement	Motor flow	Air flow	Noise Level	Weight	Capacity
l/min	rpm	W	cc/r	l/min	m³/h	dB(A)	kg	lt.
100-350	1.450	1.000	11,3	17	12.000	80	56	16

TABLE