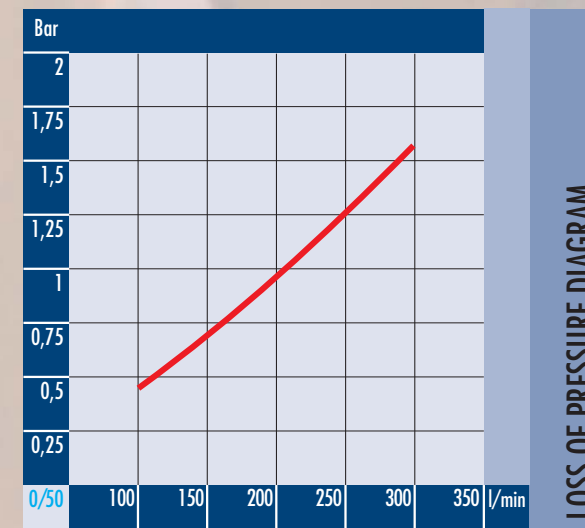
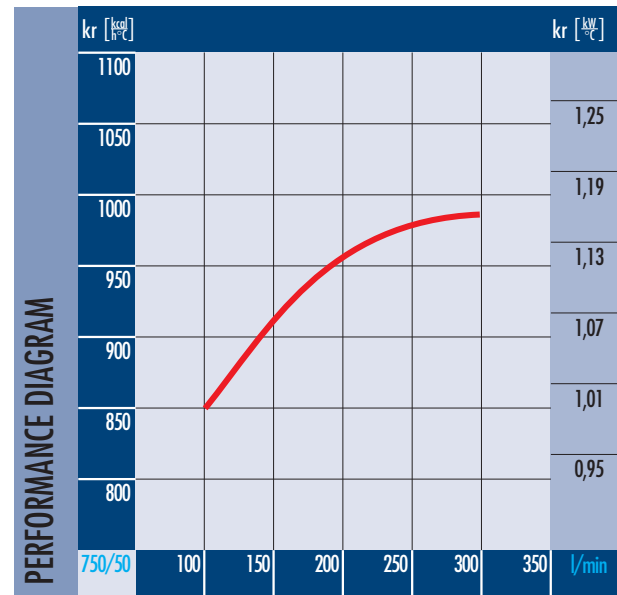


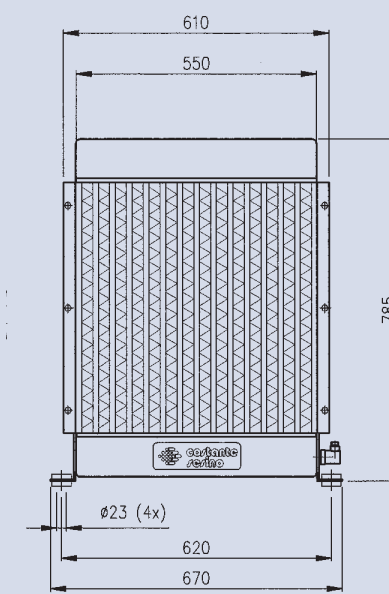
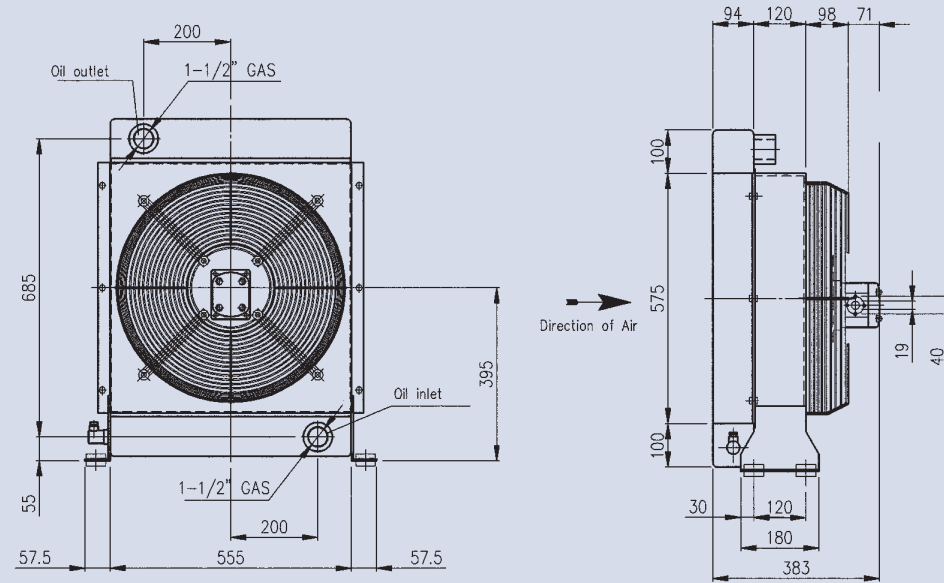
with hydraulic motor fan serie AP

AP 680 I



cSt	22	30	46	68	100	150	220
f	0,6	1	1,5	2,3	3,5	5	7

CORRECTION FACTOR



Dimensions and technical characteristics are not binding

Oil flow	Fan speed	Power	Displacement	Motor flow	Air flow	Noise Level	Weight	capacity
l/min	rpm	W	ccc/r	l/min	m³/h	dB(A)	kg	lt.
100-300	1.450	750	11,3	17	10.000	80	48	15

TABLE