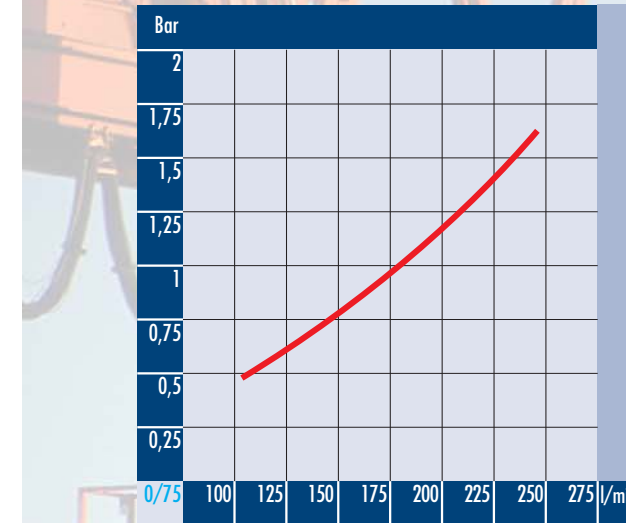
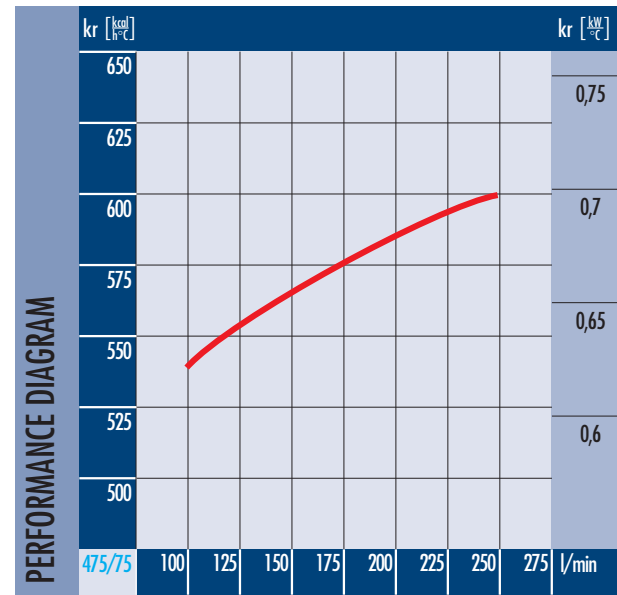


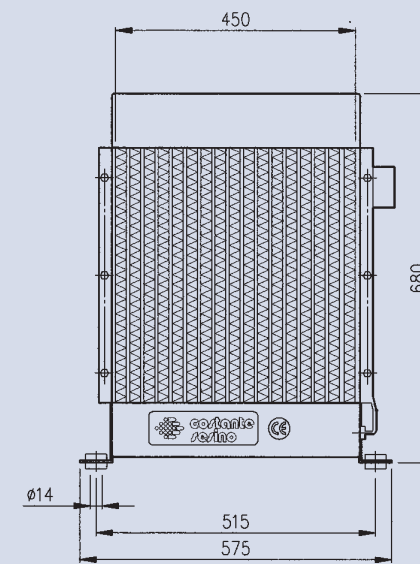
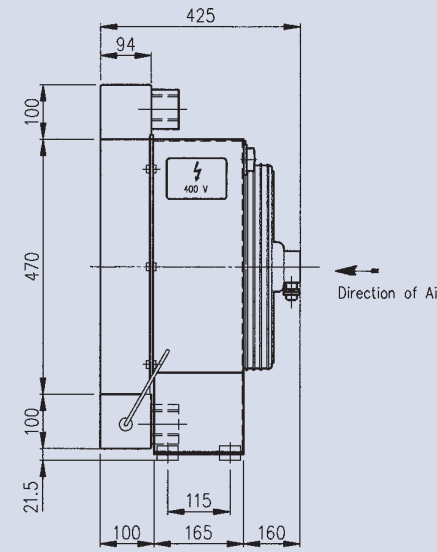
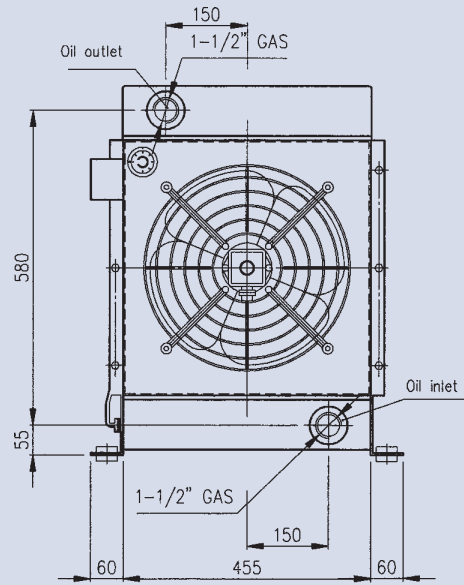
MANITOPAC
with alternating
current electric fan
serie AP

AP 580 EB



CORRECTION FACTOR

cSt	22	30	46	68	100	150	220
f	0,6	1	1,5	2,3	3,5	5	7



73

Dimensions and technical characteristics are not binding



Oil flow l/min	Capacity l	Voltage V	Frequency hz	Power W	Current A	Air flow m³/h	Protection IP	Noise Level dB(A)	Weight kg
100 - 250	11,5	230/400	50	230	1,12/0,65	3.500	55	72	40
		280/480	60	300	1,10/0,63	4.800			

TABLE