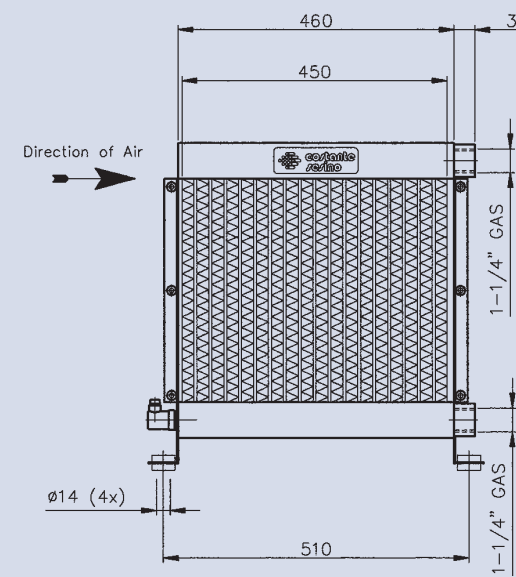
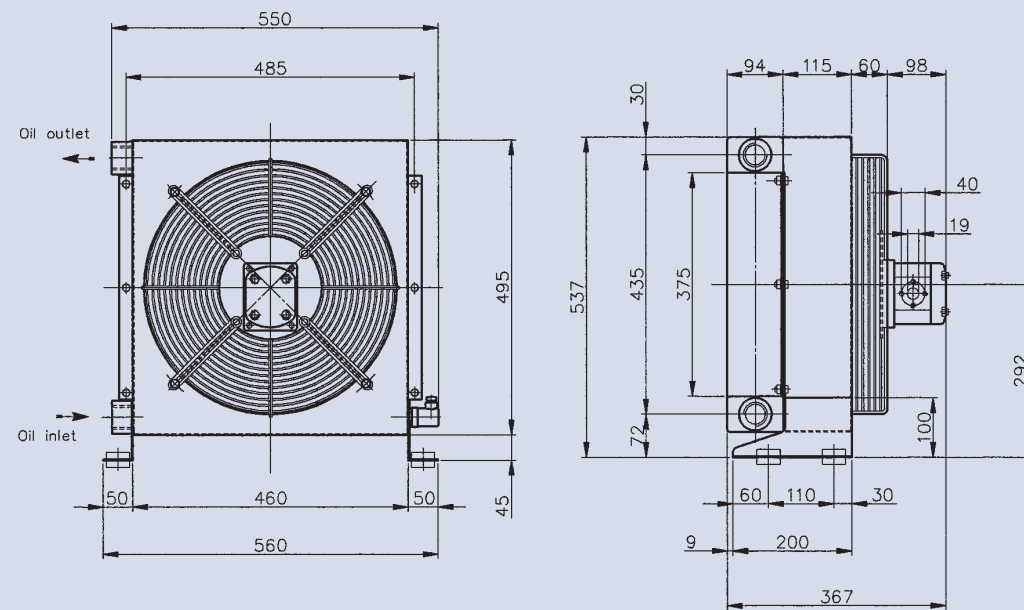
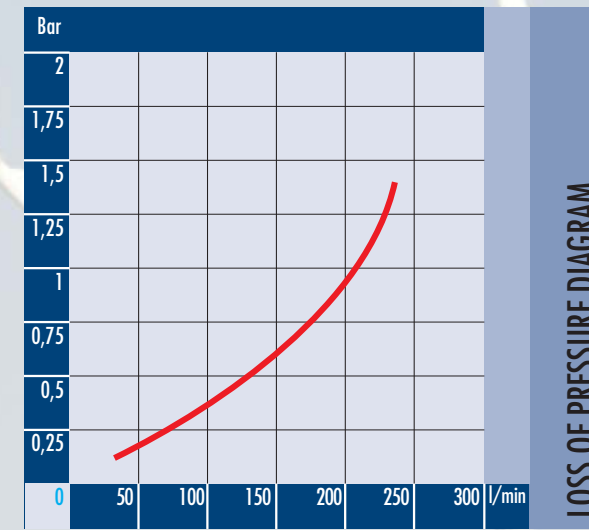
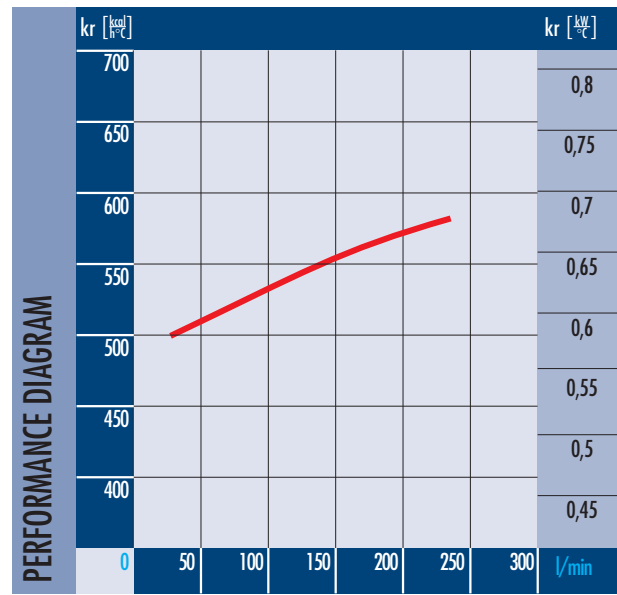


with hydraulic motor fan serie AP

AP 494 I



Dimensions and technical characteristics are not binding

Oil flow l/min	Capacity l	Fan speed rpm	Power W	Displacement cc/r	Motor flow l/min	Air flow m ³ /h	Noise level dB(A)	Weight kg
30 - 240	8	2.400	1.100	11,3	27	8.000	75	26

TABLE