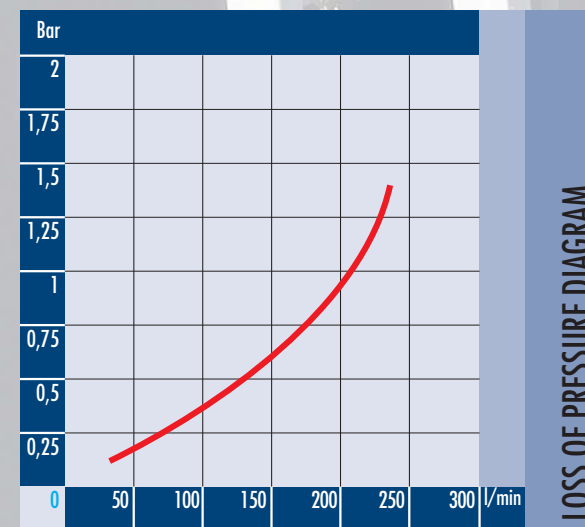
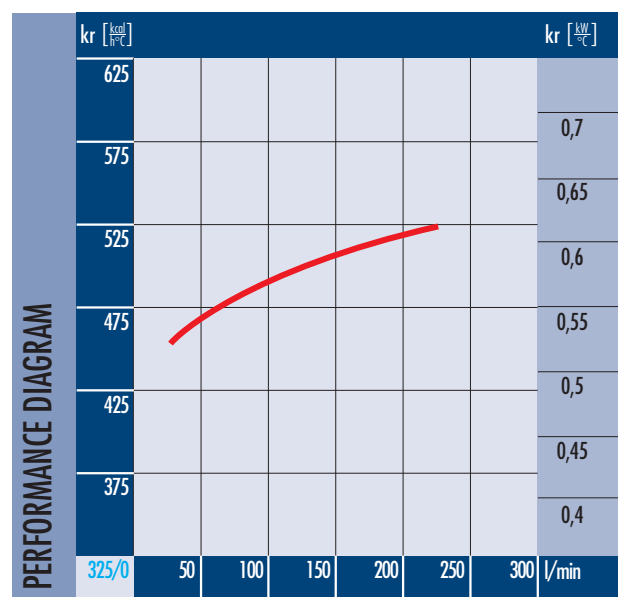


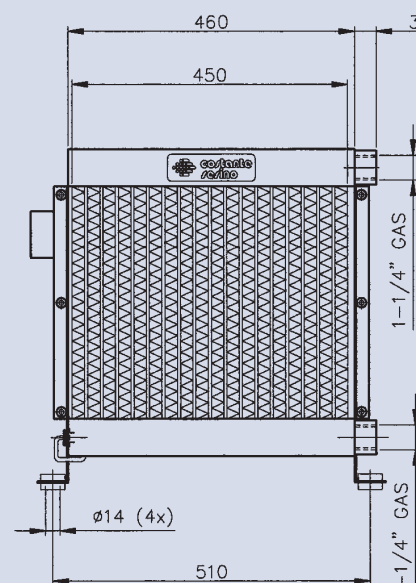
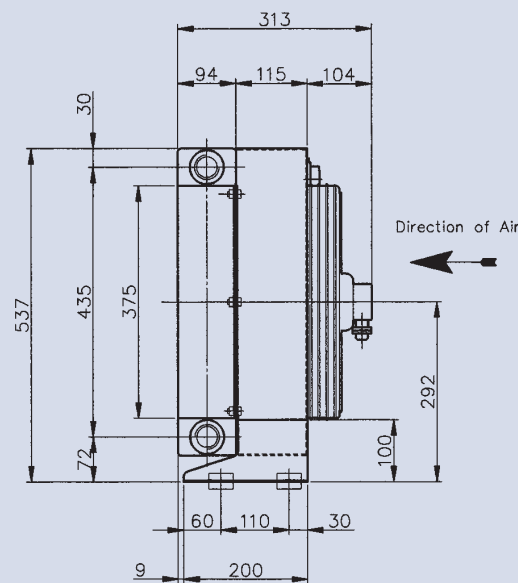
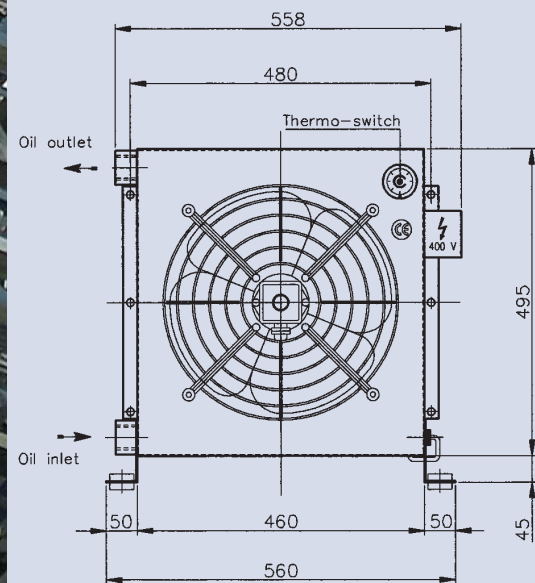
with alternating current electric fan serie AP

# AP 494 EB

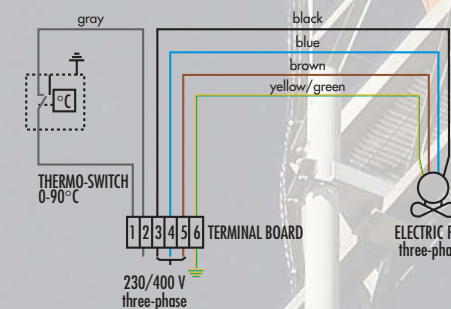


**CORRECTION FACTOR**

cSt	22	30	46	68	100	150	220
f	0,6	1	1,5	2,3	3,5	5	7



Dimensions and technical characteristics are not binding



Oil flow	Capacity	Voltage	Frequency	Power	Current	Air flow	Protection	Noise Level	Weight
l/min	l	V	hz	W	A	m³/h	IP	dB(A)	kg
30 - 240	8	230/400	50	230	1,12/0,65	2.500	55	72	28
		280/480	60	300	1,10/0,63	3.300		73	

TABLE