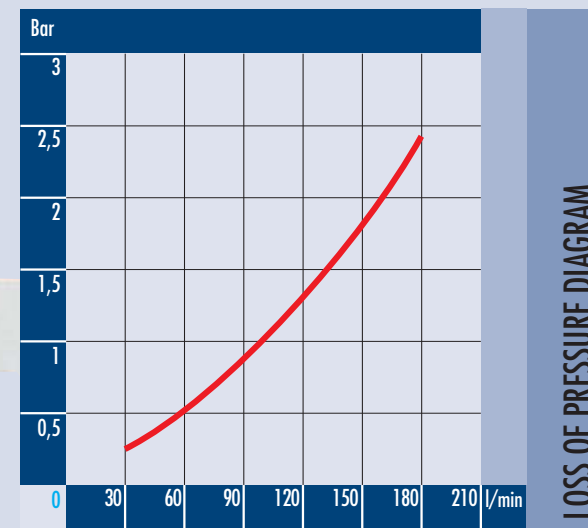
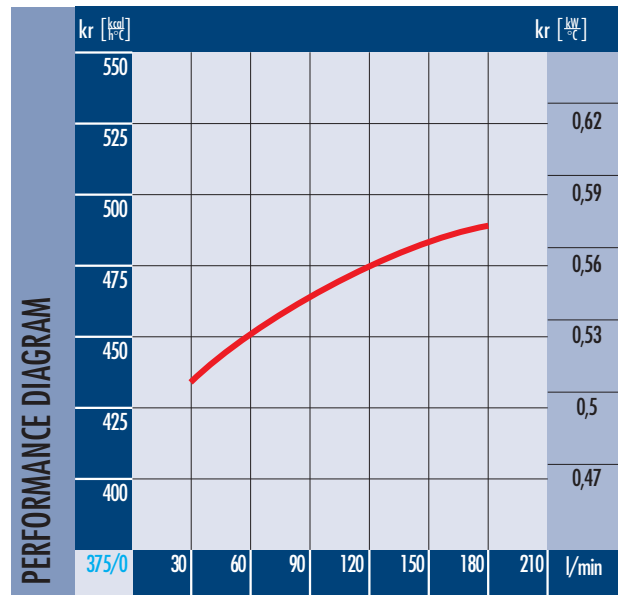


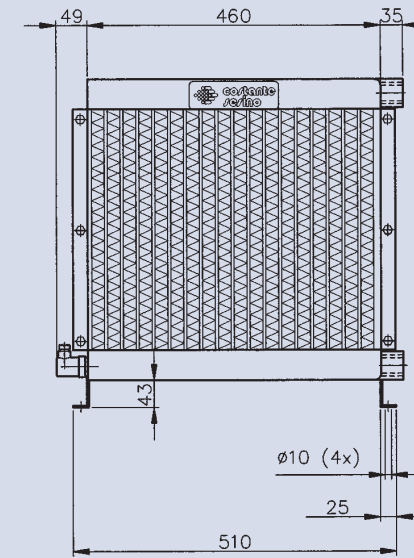
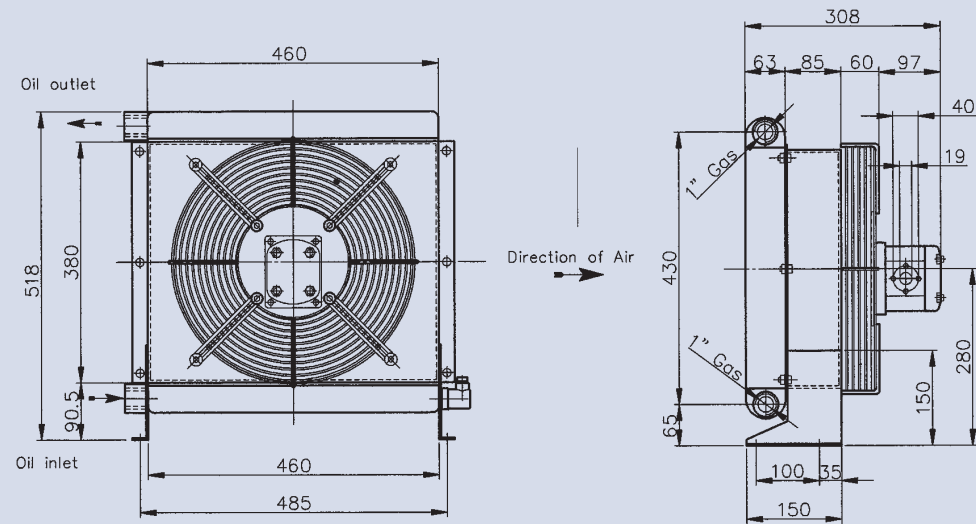
with hydraulic motor fan serie AP

# AP 430/2 I



**CORRECTION FACTOR**

cSt	22	30	46	68	100	150	220
f	0,6	1	1,5	2,3	3,5	5	7



Dimensions and technical characteristics are not binding

Oil flow	Fan speed	Power	Displacement	Motor flow	Air flow	Noise Level	Weight	Capacity
l/min	rpm	W	cc/r	l/min	m <sup>3</sup> /h	dB(A)	kg	lt.
30-180	2.700	830	11,3	31	7.000	74	23	5,5

TABLE