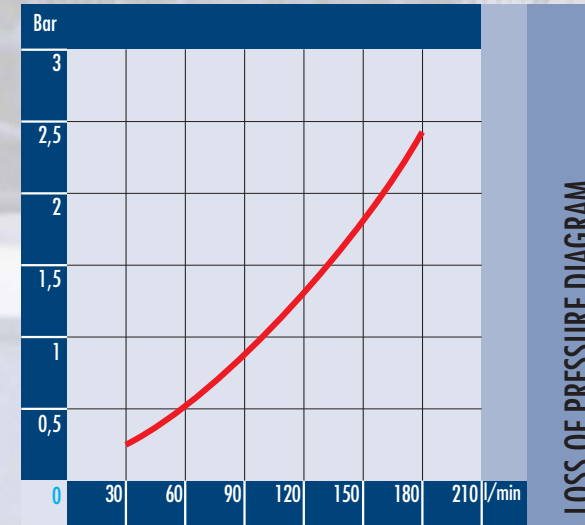
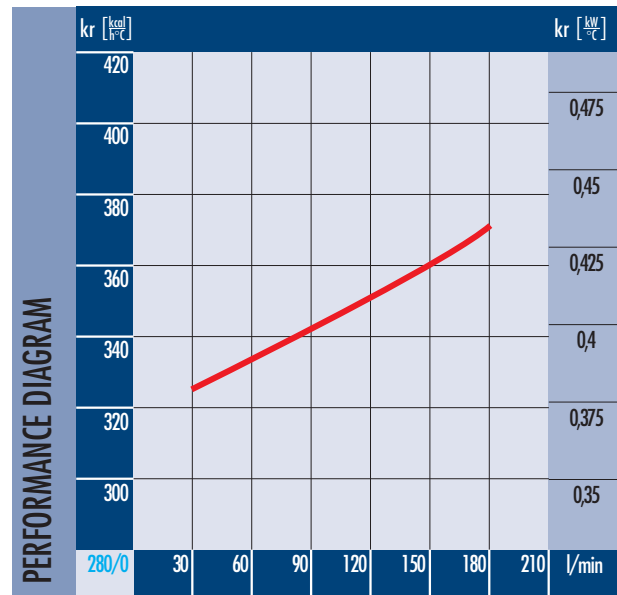
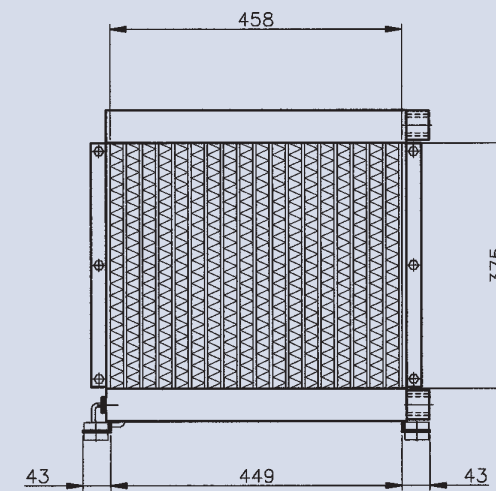
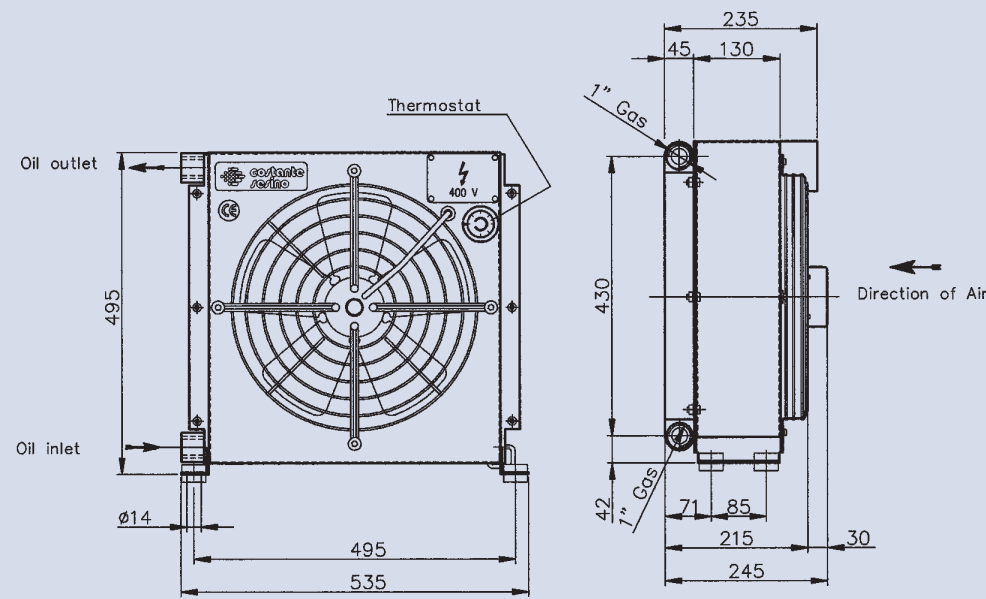


with alternating current electric fan serie AP

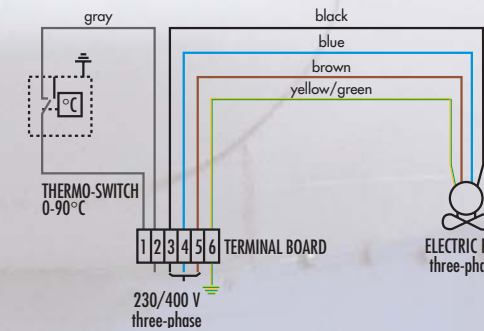
# AP 430 E



cSt	22	30	46	68	100	150	220
f	0,6	1	1,5	2,3	3,5	5	7



Dimensions and technical characteristics are not binding



Oil flow	Capacity	Voltage	Frequency	Power	Current	Air flow	Protection	Noise Level	Weight
l/min	l	V	hz	W	A	m³/h	IP	dB(A)	kg
30 - 180	3,6	230/400	50	180	0,61/0,35	2.750	54	73	18
			60	260	0,74/0,43				

TABLE