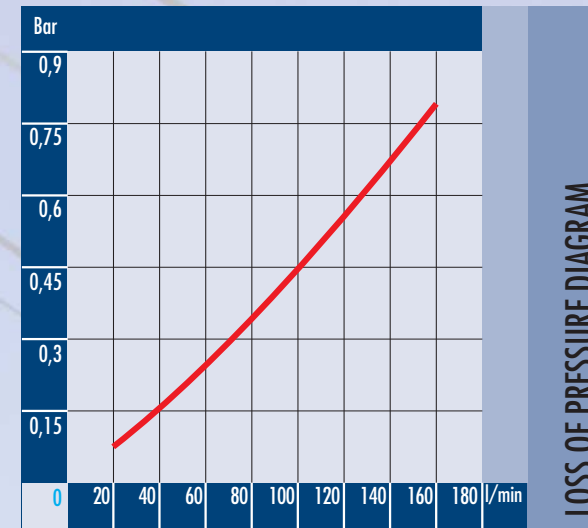
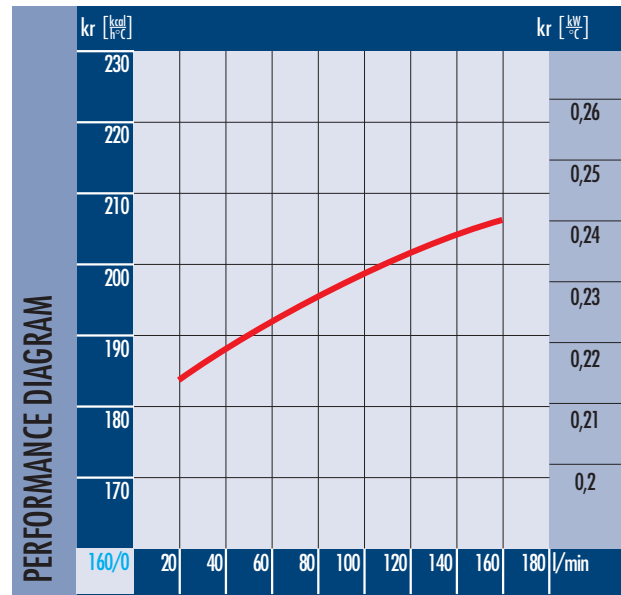


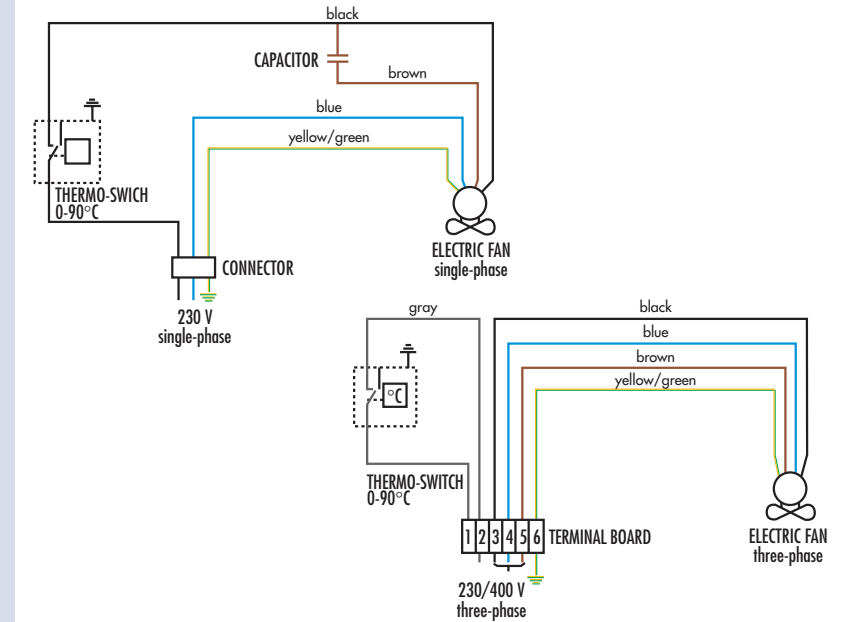
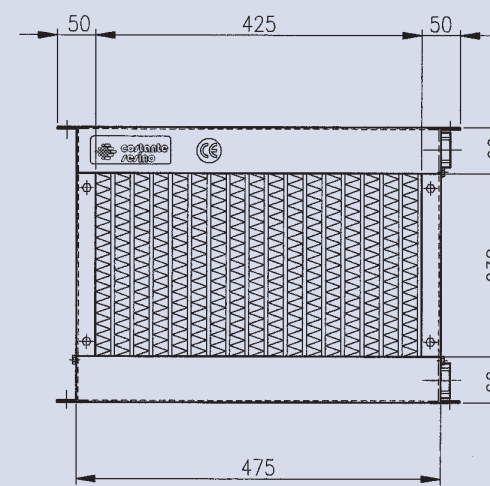
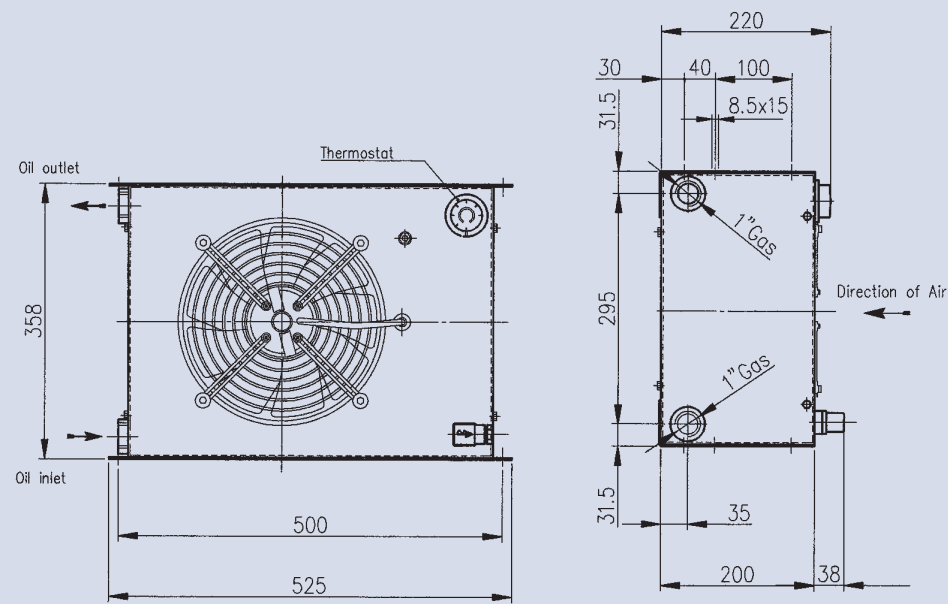
with alternating current electric fan serie AP

# AP 300/2 E



**CORRECTION FACTOR**

cSt	22	30	46	68	100	150	220
f	0,6	1	1,5	2,3	3,5	5	7



Dimensions and technical characteristics are not binding

Oil flow l/min	Capacity l	Voltage V	Frequency hz	Power W	Current A	Air flow m³/h	Protection IP	Noise Level dB(A)	Weight kg
20 - 160	3,6	230	50/60	120/160	0,53/0,7	1.300	44	75	17

TABLE

Oil flow l/min	Capacity l	Voltage V	Frequency hz	Power W	Current A	Air flow m³/h	Protection IP	Noise Level dB(A)	Weight kg
20 - 160	3,6	230/400	50/60	110/150	0,19/0,23	1.300	44	73	12

TABLE