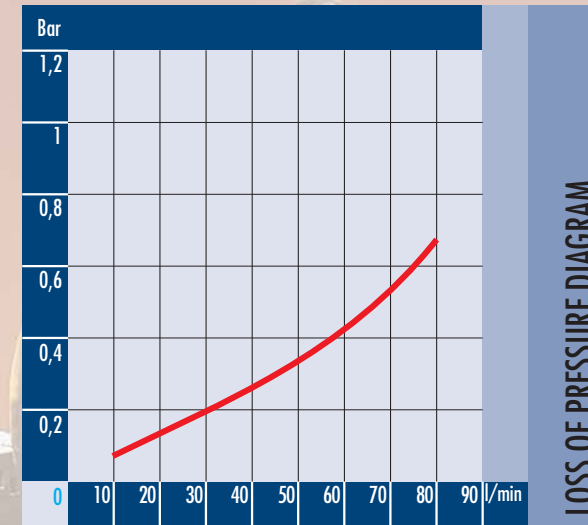
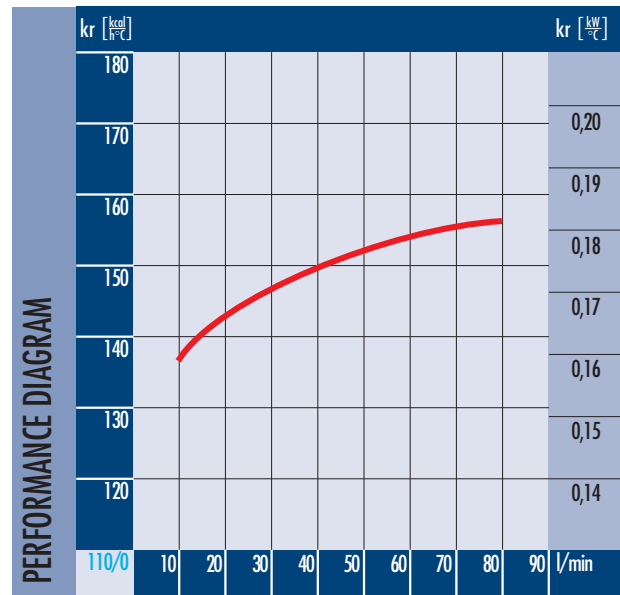


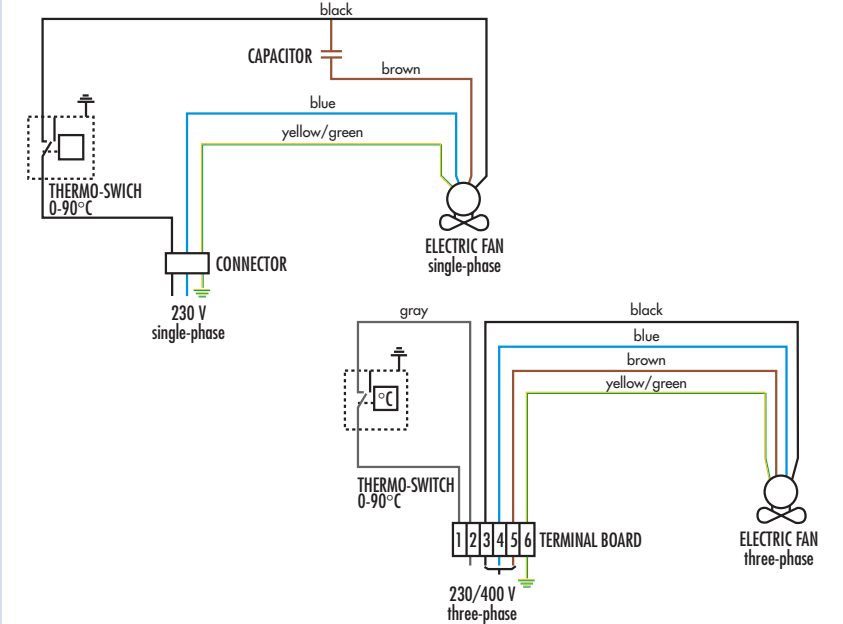
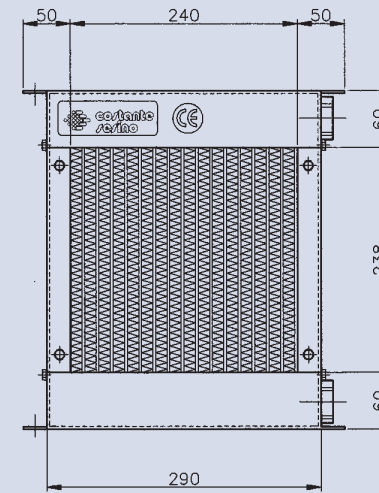
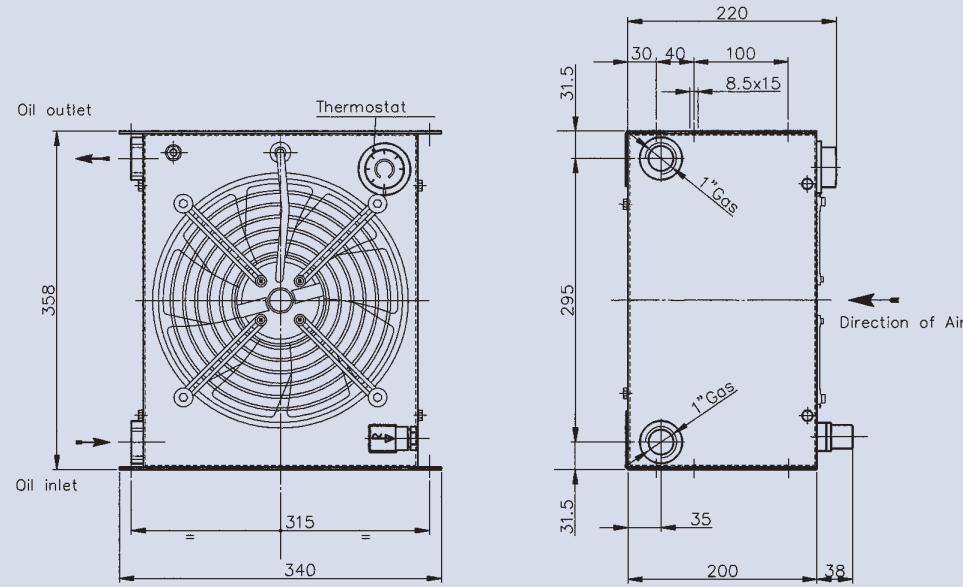
with alternating current electric fan serie AP

AP 300 E



CORRECTION FACTOR

cSt	22	30	46	68	100	150	220
f	0,6	1	1,5	2,3	3,5	5	7



Dimensions and technical characteristics are not binding

Oil flow l/min	Capacity l	Voltage V	Frequency hz	Power W	Current A	Air flow m³/h	Protection IP	Noise Level dB(A)	Weight kg
10 - 80	2	230	50/60	120/160	0,53/0,7	910	44	74	12

TABLE

Oil flow l/min	Capacity l	Voltage V	Frequency hz	Power W	Current A	Air flow m³/h	Protection IP	Noise Level dB(A)	Weight kg
10 - 80	2	230/400	50/60	110/150	0,19/0,23	950	44	73	12

TABLE