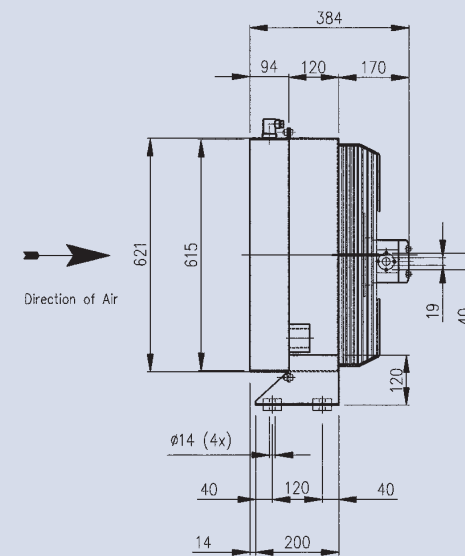
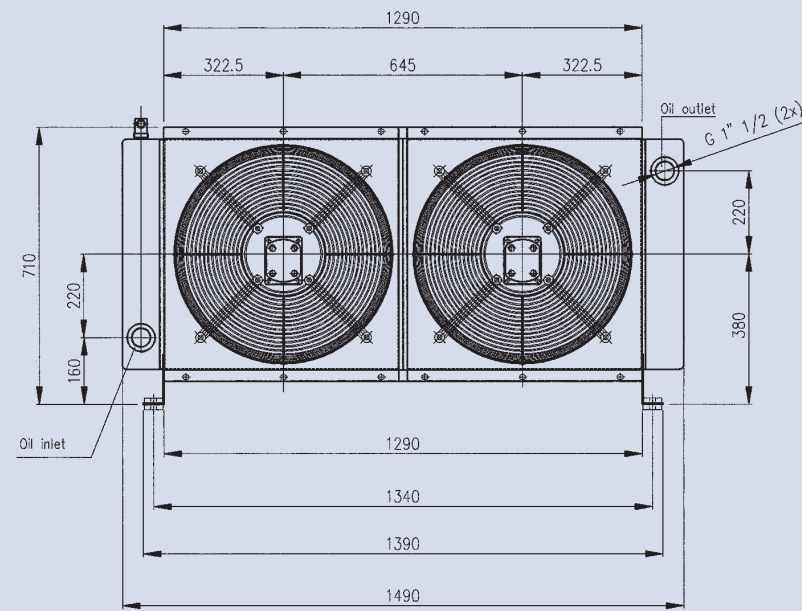
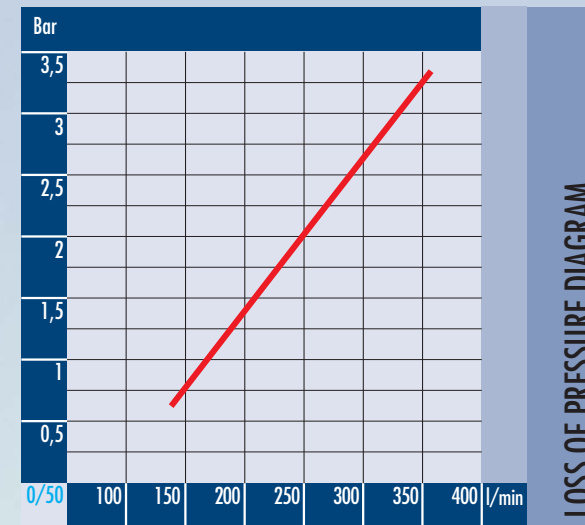
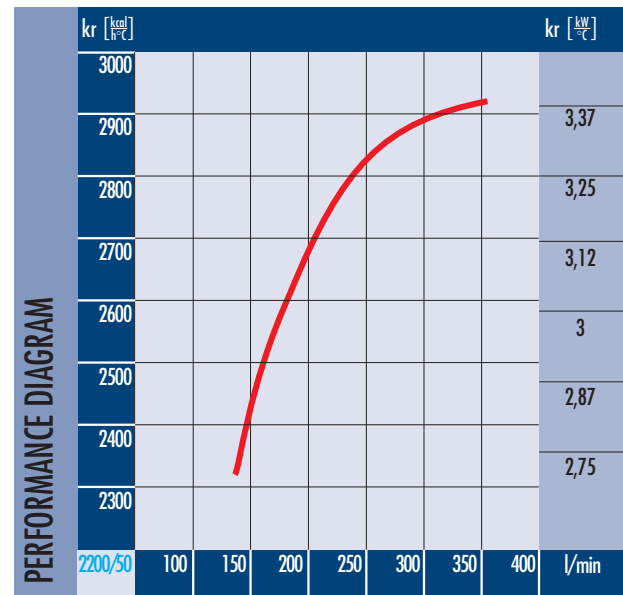


with hydraulic motor fan serie AP

AP 2/730 I



Dimensions and technical characteristics are not binding

Oil flow l/min	Capacity l	Fan speed rpm	Power W	Displacement cc/r	Motor flow l/min	Air flow m³/h	Noise Level dB(A)	Weight kg
100 - 350	30	1.450	2x1000	2x11,3	2x17	2x12.000	82	120

TABLE