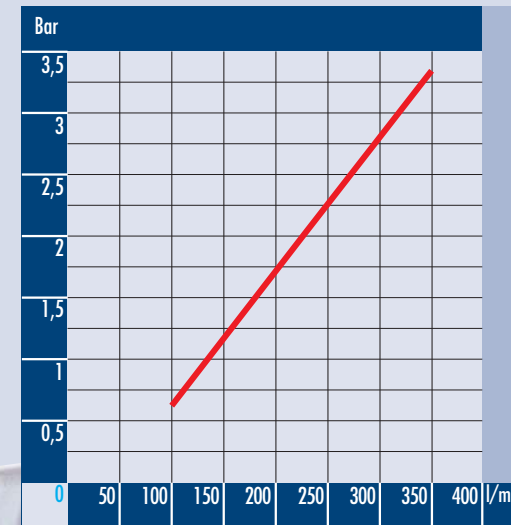
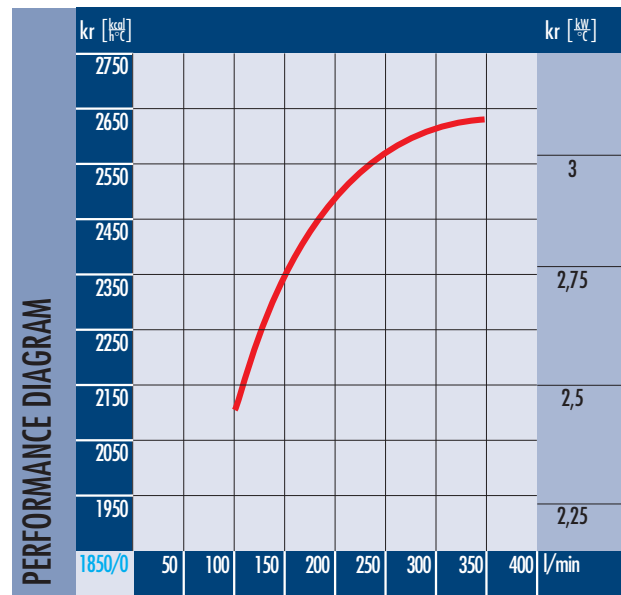


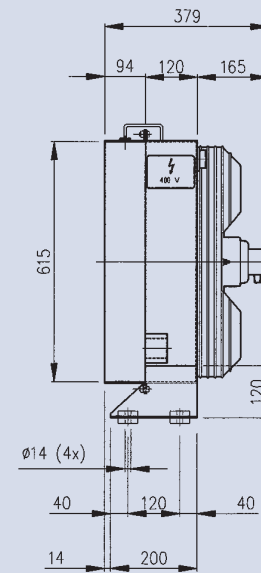
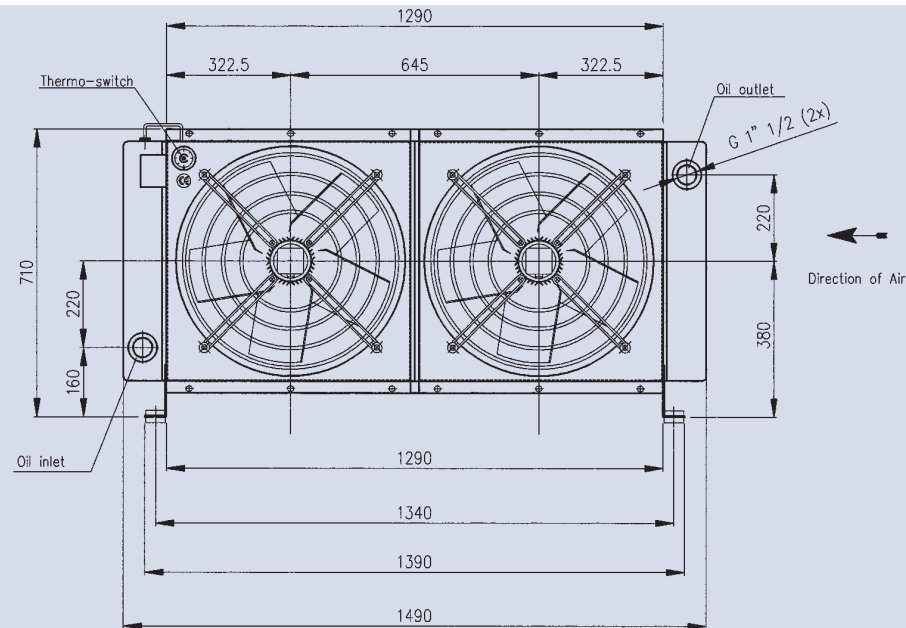
with alternating current electric fan serie AP

AP 2/730 EB



| cSt | 22 | 30 | 46 | 68 | 100 | 150 | 220 |
|-----|-----|----|-----|-----|-----|-----|-----|
| f | 0,6 | 1 | 1,5 | 2,3 | 3,5 | 5 | 7 |

CORRECTION FACTOR



Dimensions and technical characteristics are not binding

| Oil flow l/min | Capacity l | Voltage V | Frequency hz | Power W | Current A | Air flow m³/h | Protection IP | Noise Level dB(A) | Weight kg |
|-------------------|---------------|--------------|-----------------|------------|--------------|------------------|------------------|----------------------|--------------|
| 100 - 350 | 30 | 230/400 | 50 | 2x560 | 2x2,46/1,42 | 2x7.450 | 55 | 75 | 140 |
| | | 260/460 | 60 | 2x810 | 2x2,30/1,03 | 2x9.000 | | 77 | |

TABLE