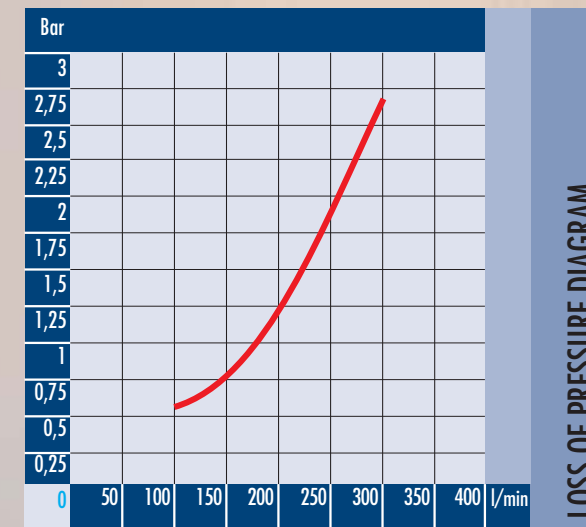
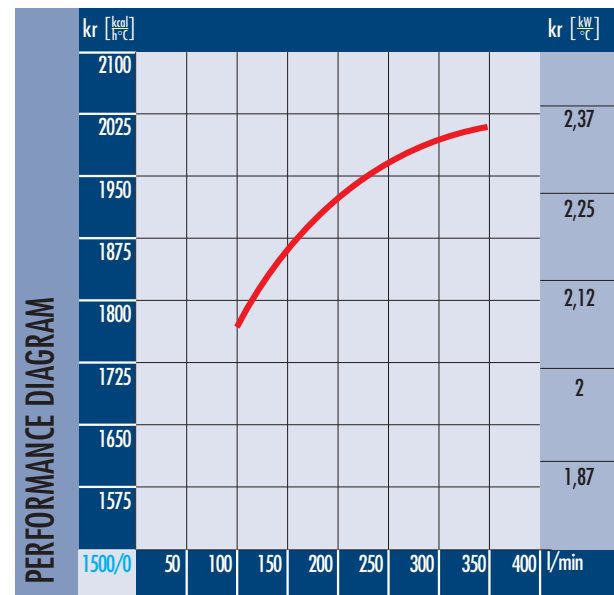


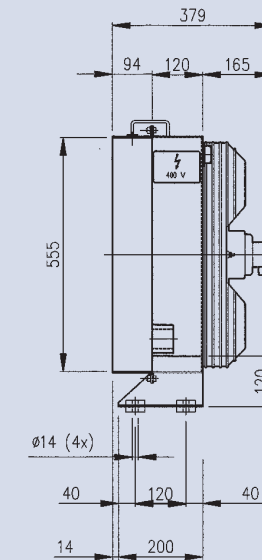
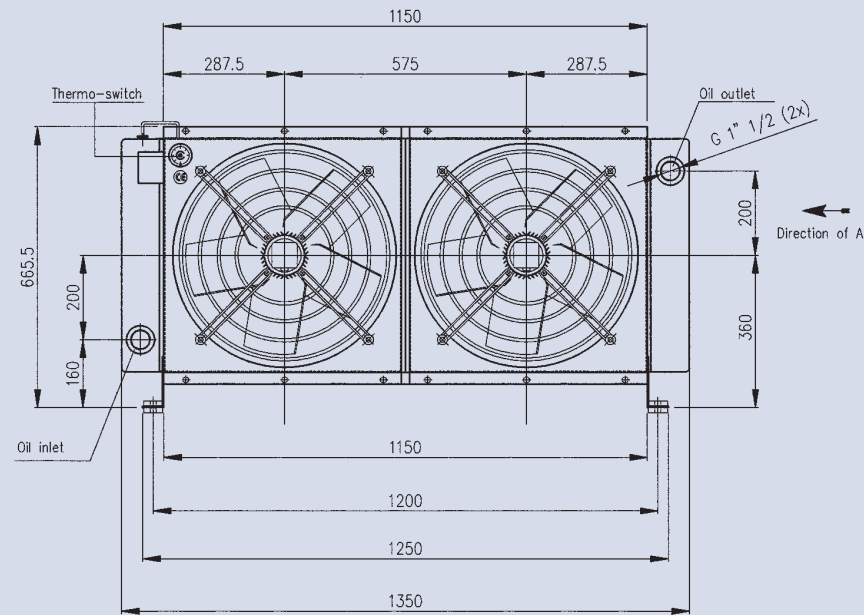
with alternating current electric fan serie AP

# AP 2/680 EB



**CORRECTION FACTOR**

cSt	22	30	46	68	100	150	220
f	0,6	1	1,5	2,3	3,5	5	7



Dimensions and technical characteristics are not binding

Oil flow l/min	Capacity l	Voltage V	Frequency hz	Power W	Current A	Air flow m³/h	Protection IP	Noise Level dB(A)	Weight kg
100 - 300	28	230/400	50	2x560	2x2,46/1,42	2x6.300	55	75	120
		260/460	60	2x810	2x2,30/1,30	2x8.800		77	

TABLE