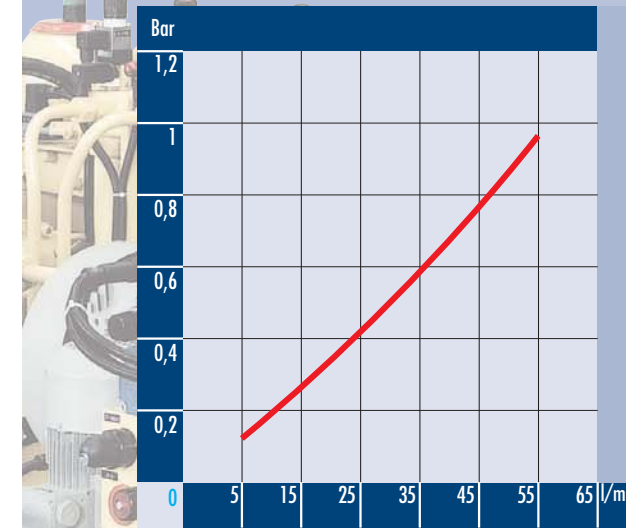
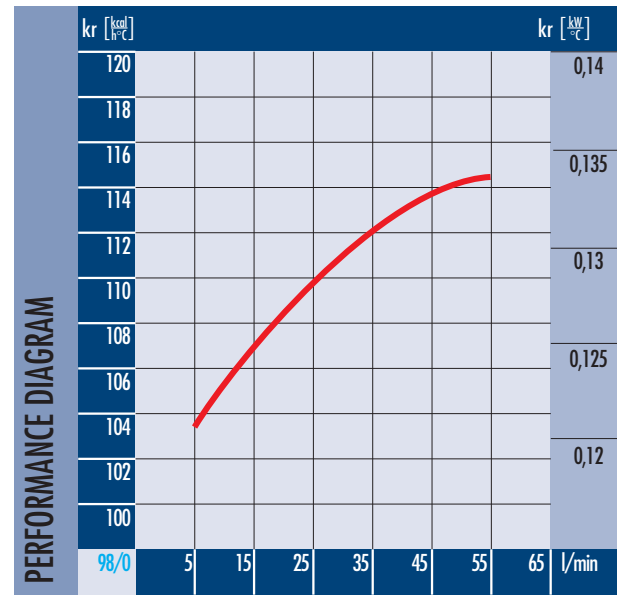


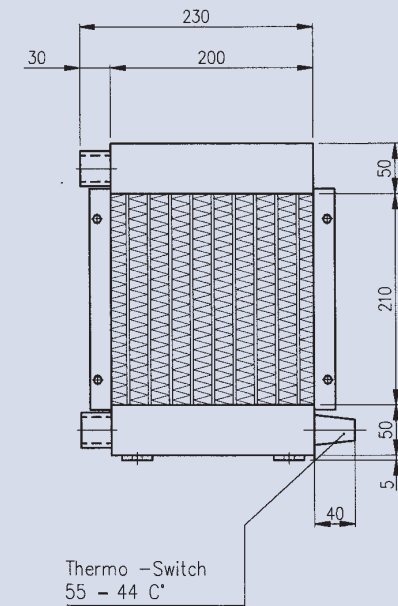
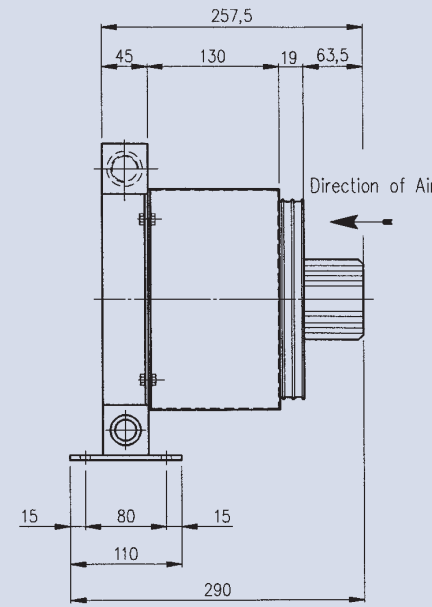
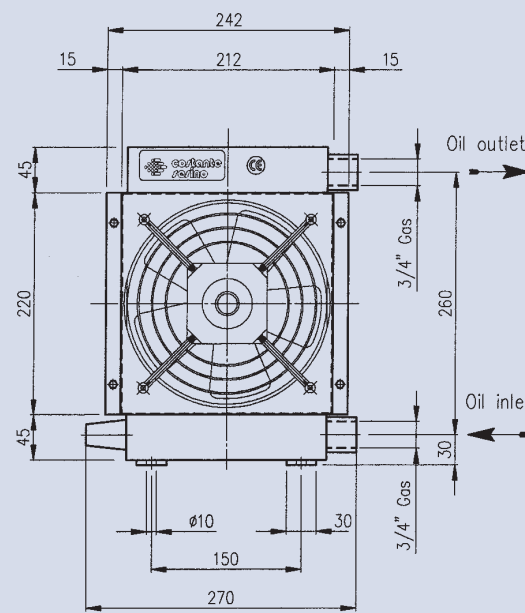
with alternating current electric fan serie AP

# AP 260

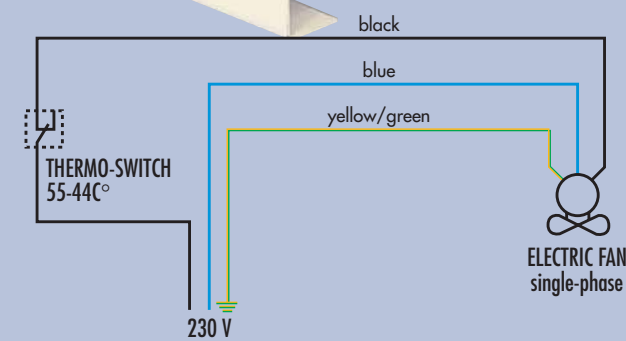


**CORRECTION FACTOR**

| cSt | 22  | 30 | 46  | 68  | 100 | 150 | 220 |
|-----|-----|----|-----|-----|-----|-----|-----|
| f   | 0,6 | 1  | 1,5 | 2,3 | 3,5 | 5   | 7   |



Dimensions and technical characteristics are not binding



| Oil flow<br>l/min | Capacity<br>l | Voltage<br>V | Frequency<br>hz | Power<br>W | Current<br>A | Air flow<br>m³/h | Protection<br>IP | Noise Level<br>dB(A) | Weight<br>kg |
|-------------------|---------------|--------------|-----------------|------------|--------------|------------------|------------------|----------------------|--------------|
| 5 - 60            | 1,2           | 230          | 50/60           | 87         | 0,64         | 630              | 44               | 55                   | 6            |

TABLE