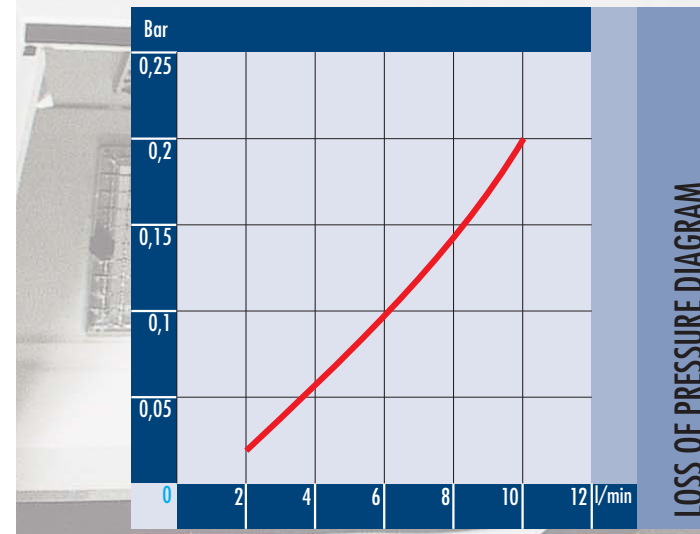
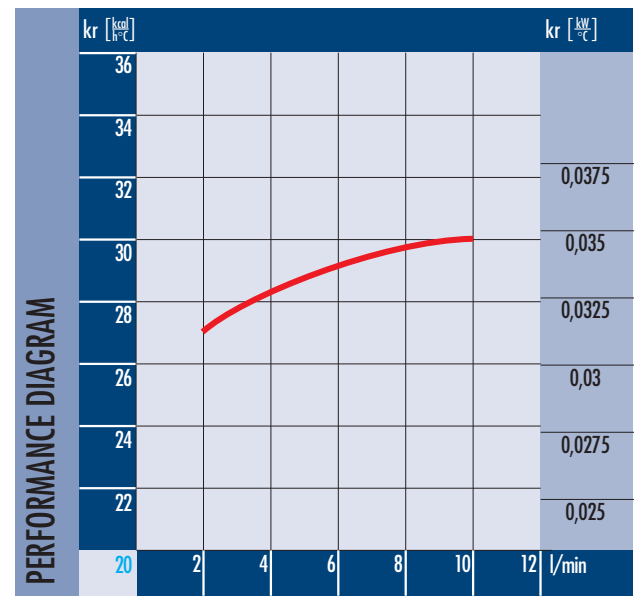
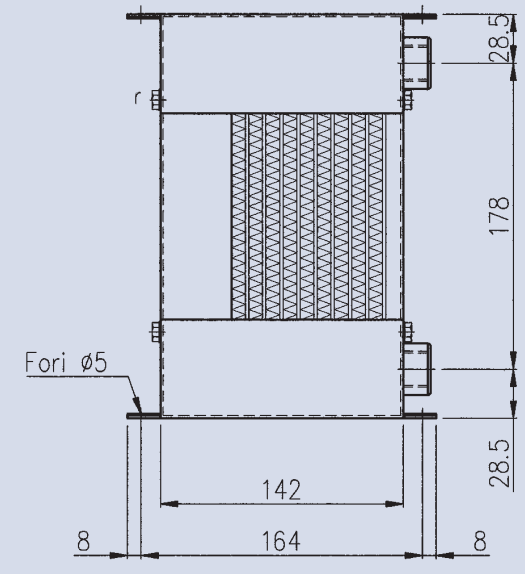
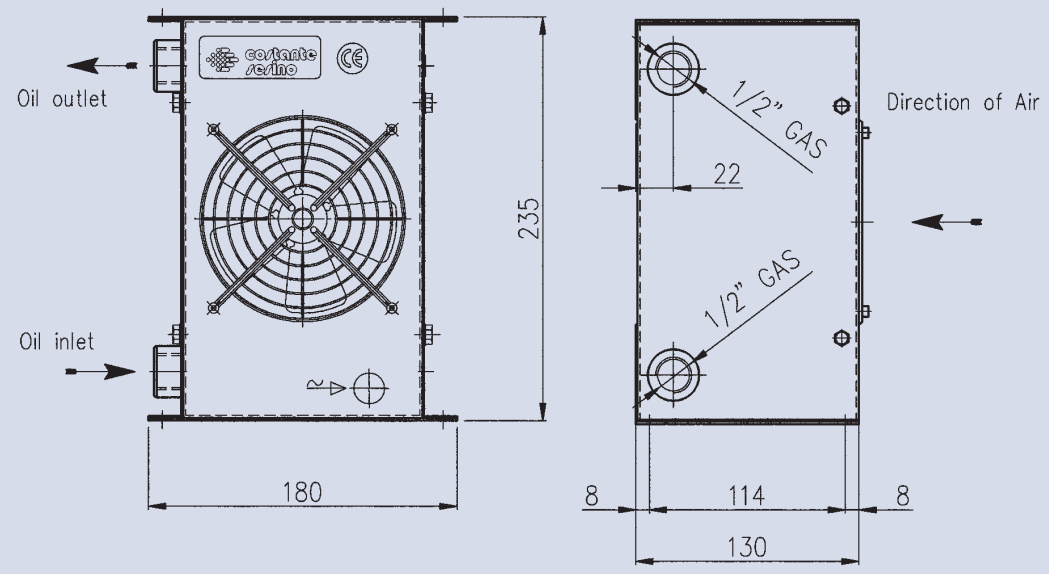


with alternating current electric fan serie AP

AP 178



cSt	22	30	46	68	100	150	220
f	0,6	1	1,5	2,3	3,5	5	7



Dimensions and technical characteristics are not binding



Oil flow l/min	Capacity l	Voltage V	Frequency hz	Power W	Current A	Air flow m³/h	Protection IP	Noise Level dB(A)	Weight kg
1 - 10	0,5	230	50/60	15/18	0,125/0,105	125	44	55	4

TABLE